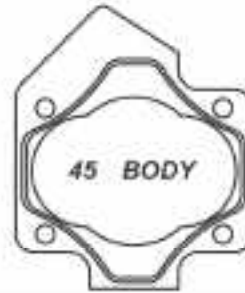


GEAR BODIES

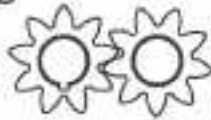


STD. BODY
-9072 1.200 #10IN & OUT
-9073 1.450 #12IN & OUT
-9074 1.700 #12IN & OUT



45 BODY
-9075 1.200 #10IN & OUT
-9076 1.450 #12IN & OUT
-9077 1.700 #12IN & OUT

GEAR SETS

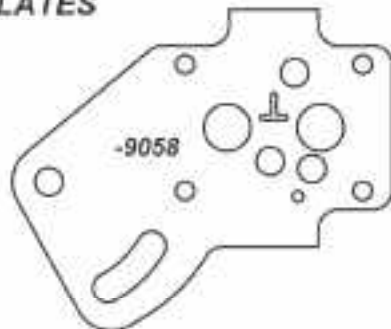


-9045S GEAR SET 1.200
-9046S GEAR SET 1.450
-9047S GEAR SET 1.700

SPRINGS & SEAL KITS

-9050 LOW PRESS SPRING
-9051 MED PRESS SPRING
-9052 HIGH PRESS SPRING
-9153 SEAL & SMALL PARTS KIT

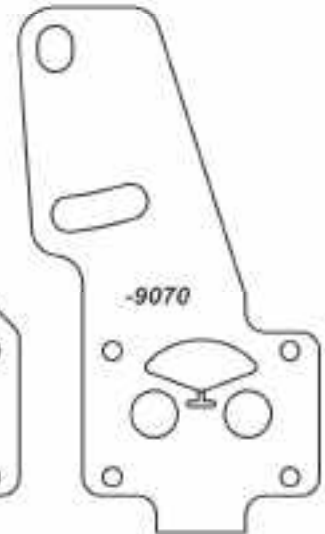
MOUNT PLATES



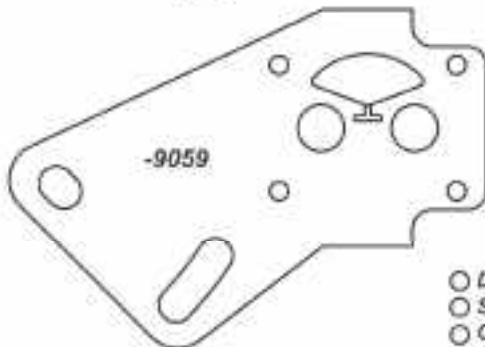
-9058



-9069



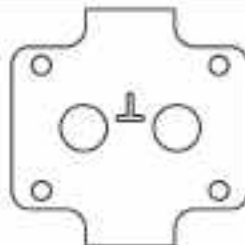
-9070



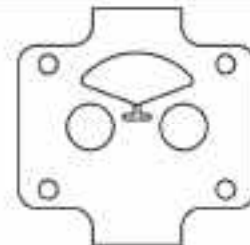
-9059

- DRIVER'S SIDE MOUNT
- PASSENGER'S SIDE MOUNT
- STANDARD MOUNT
- SINGLE STAGE MOUNT
- CROSS PORTED (DS)
- NON CROSS PORT (DS)

SEPARATOR PLATES



NON CROSS PORT
-9062 .225 THICK
-9063 .475 THICK



CROSS PORTED
.225 THICK